



JR. HOOP
BASKETBALL SYSTEM

MODEL NO.
B8310W-1
B8310F-1



**Please Do Not Return This
Product to the Store!**

Contact Escalade® Sports customer service department at:
Phone: 1-888-USA-GOAL Toll-Free!
Fax: 1-866-873-3536 Toll-Free!
E-mail: customerservice@escaladesports.com



Escalade® Sports products may be manufactured and/or licensed under the following patents.
6120397, 5816957, 5769744, 5119741, 4911085, 4717157, D460140, D420563, 8414431
Additional patents may be pending. One or more of the listed patents and/or pending patents may cover specific product.

2L-7893-00

2019 Escalade® Sports

PRE - ASSEMBLY TIPS

1. **Read this manual carefully before starting assembly.** Read each step completely before beginning each step.
2. **Some smaller parts may be shipped inside larger parts. Check inside all parts and cartons before assembling or ordering parts.**
3. **To make assembly easier, use the Hardware Identifier on page 5 to identify and sort all fasteners. Check all cartons for kits. All hardware may not be located in one kit.**
4. **Do not tighten hardware until instructed to do so. If hardware is tightened too soon, mounting holes may not align and parts may not easily fit together.**
5. **Save these instructions and your proof of purchase (receipt) in the event that the manufacturer has to be contacted for replacement parts.**

NO TOOLS NEEDED

Please Do Not Return This Product To The Store!

Contact Escalade® Sports customer service department at:

Phone: 1-888-USA-GOAL Toll – Free !

Fax: 1-866-873-3536 Toll – Free !

E-mail: basketball@escaladesports.com

Mailing Address (correspondence only):

Escalade Sports

PO Box 889

Evansville, IN 47706

Please visit our Website at:
www.escaladesports.com

ON-LINE TROUBLE SHOOTING TECHNICAL ASSISTANCE
ON-LINE PARTS REQUESTS FREQUENTLY ASKED QUESTIONS
ADDITIONAL ESCALADE®SPORTS PRODUCT INFORMATION



SAFETY INSTRUCTIONS

FAILURE TO FOLLOW THESE SAFETY INSTRUCTIONS MAY RESULT IN SERIOUS INJURY, PROPERTY DAMAGE AND WILL VOID WARRANTY.

Owner must ensure that all players know and follow these rules for safe operation of the system.

To ensure safety, do not attempt to assemble this system without following the instructions carefully. Proper and complete assembly, use and supervision is essential for proper operation and to reduce the risk of accident or injury. A high probability of serious injury exists if this system is not installed, maintained, and operated properly.

- If using a ladder during assembly, use extreme caution.
- Ensure there are no overhead power lines within 20 ft. (7m) radius of the mounting structure location.
- Climate, corrosion or misuse can result in hoop failure.
- If Technical assistance is required, contact the manufacturer.

*Most injuries are caused by misuse and/or not following instructions.
Use caution when using this system.*

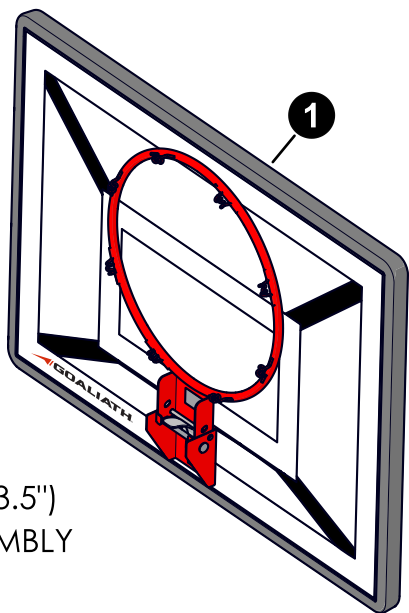
WARNING

FAILURE TO FOLLOW THESE WARNINGS MAY RESULT IN SERIOUS INJURY AND/OR PROPERTY DAMAGE. Owner must ensure that all players know and follow these rules for safe operation of the hoop.

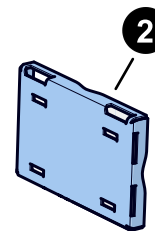
- Do not dunk on this hoop
- Do not hang from any part of the hoop, including the backboard, rim, support brace, or net.
- Never play on damaged equipment.
- Check hoop before each use for loose hardware, excessive wear, and signs of corrosion and repair before using.
- During play, use extreme caution to keep players face away from the backboard, rim and net. Serious injury could occur if teeth/face come in contact with backboard, rim or net.
- Wear a mouth guard when playing to avoid dental injuries.
- When installing or removing backboard from bracket, keep hands and fingers away from pinch points.
- During play, do not wear jewelry (rings, watches, necklaces, etc.). Objects may entangle in net.
- Do not allow children to install or remove backboard.
- Check hoop before each use for to ensure it is secure to mounting structure and bracket.
- A solid mounting structure, capable of withstanding normal recreational use forces, must be provided by the customer.
- Never play on damaged equipment.

4L-8711-00

PARTS LIST (NOT ACTUAL SIZE)

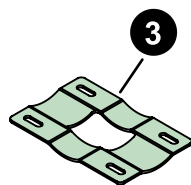


BACKBOARD (33" X 23.5")
& FOLDING RIM ASSEMBLY
4A-8340-10
QTY. 1

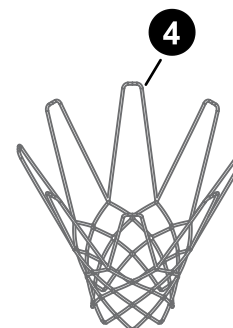


BASE PLATE
2S-9446-00
QTY. 1

(Pre-installed on Backboard
4A-8340-10. Please remove
base plate from the Backboard
before starting assembly)



CLAMP PLATE
2S-9445-00
QTY. 1



NET
3F-6080-00
QTY. 1.

HARDWARE LIST (ACTUAL SIZE)

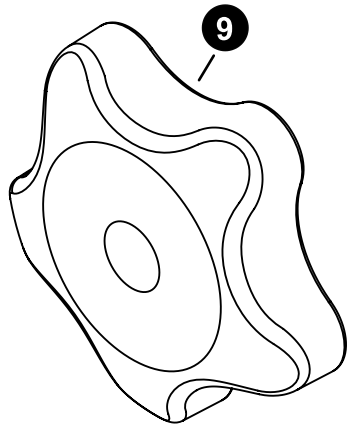


5/16-18 X **7 1/2"** CARRIAGE BOLT
for poles 4"-6"
1B-7194-00
QTY. **4**

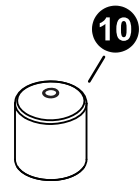


5/16-18 X **5 1/2"** CARRIAGE BOLT
for poles up to 4"
1B-7204-00
QTY. **4**

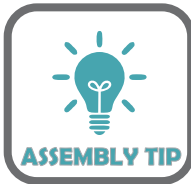
Note: Use 5 1/2" carriage bolts **#8** for poles up to 4" & 7 1/2" carriage bolt **#7** for poles 4"-6".



KNOB, 5/16-18, 5 LOBE
2Q-6475-00
QTY. **4**



THREAD CAP
3M-9093-00
QTY. **4**



You can attach the JR hoop to round poles and square poles up to 4" with the 5 1/2" Carriage bolt as shown below. To install on a basketball pole that is 4"-6" use the 7 1/2" Carriage Bolts.

NOTE:
Adult assembly required.

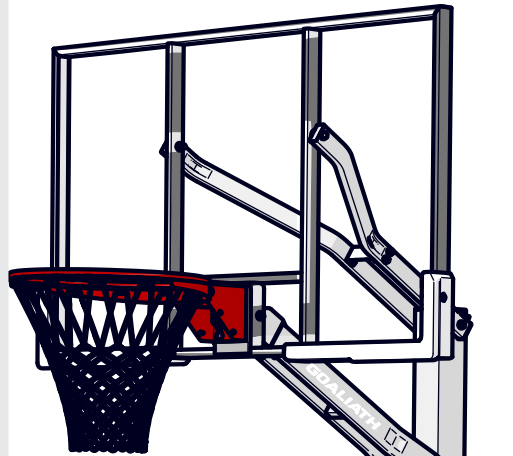
CAUTION:
ONLY ADULTS SHOULD SET UP THE PRODUCT.
DO NOT ALLOW CHILDREN IN THE SETUP AREA
UNTIL ASSEMBLY IS COMPLETE.

STEP 1

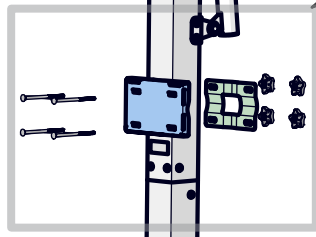
Mount Base plate #2 and Clamp Plate #3 as shown in **Detail A, Detail B & Detail C.** To install on a round pole follow **Detail A & Detail C.**

NOTE:

If needed remove the Actuator handle on the existing basketball system before attaching Base Plate.

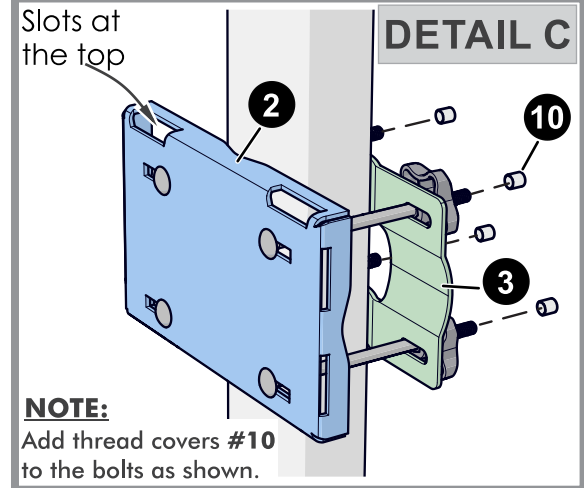
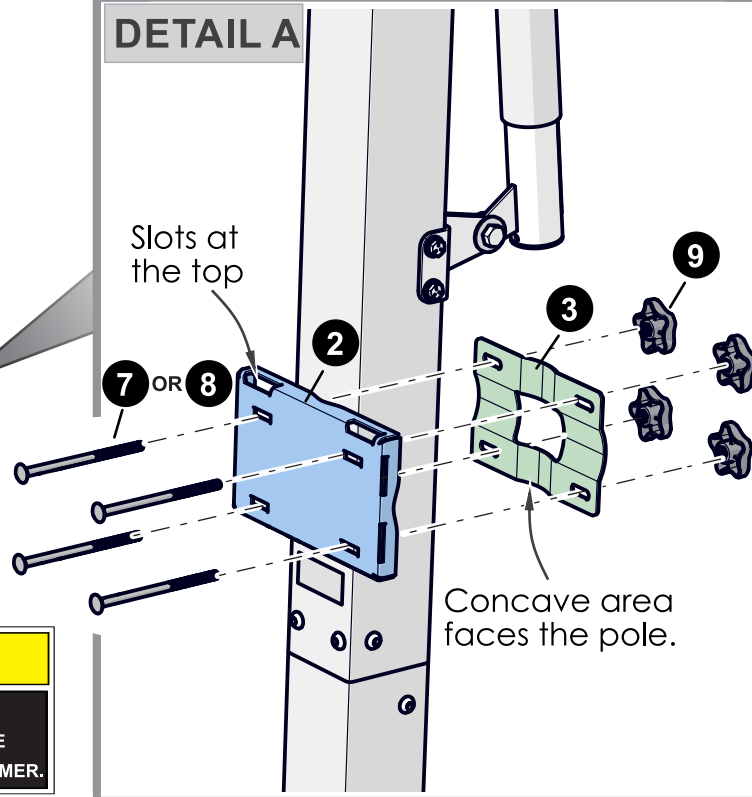


*Basketball system shown for illustration purposes only.



CAUTION:
A SOLID MOUNTING SURFACE, CAPABLE OF WITHSTANDING NORMAL RECREATIONAL USE FORCES, MUST BE PROVIDED BY THE CUSTOMER.

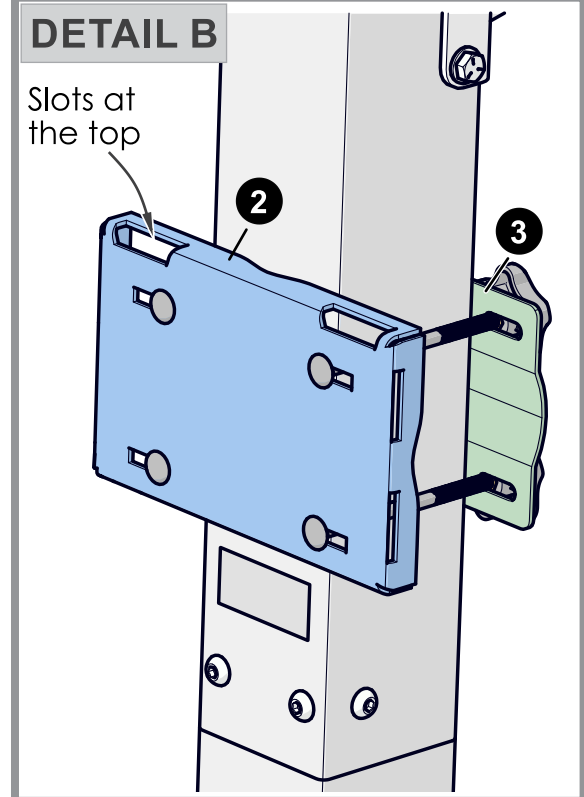
DETAIL A



NOTE:
Add thread covers #10 to the bolts as shown.

NOTE:

Make sure to orient the slots at the top of the base plate.

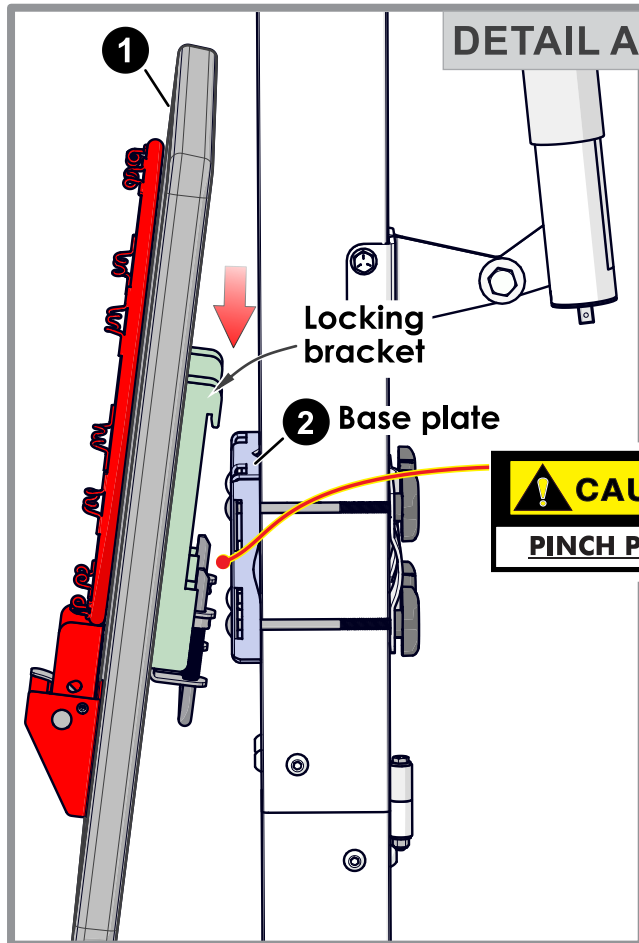


STEP 2

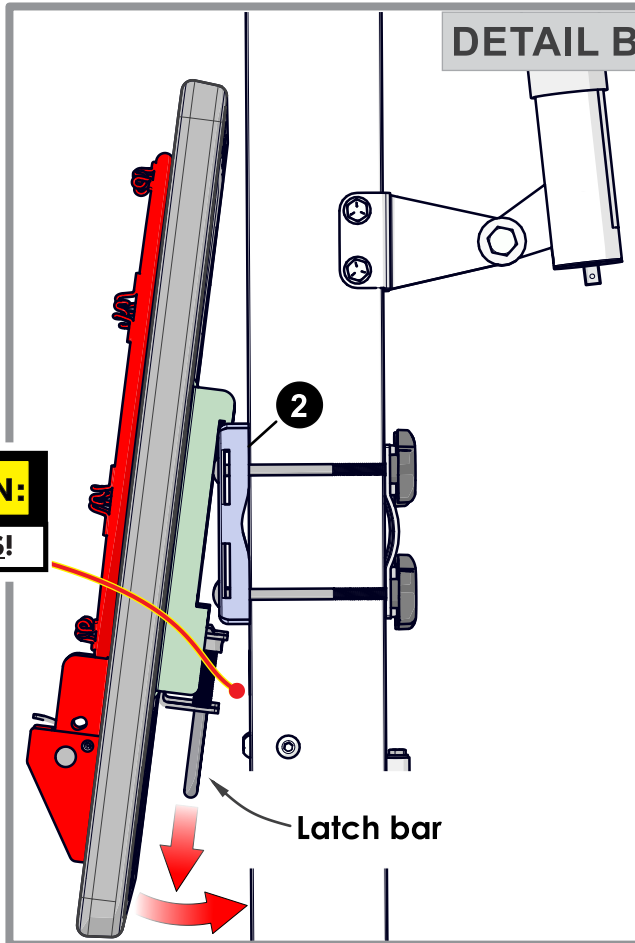
Mount Backboard assembly to bracket as shown in **Detail A-C**.

CAUTION:
PINCH POINTS! DO NOT
place your hand between
the **base plate & locking**
bracket and between the
latch bar & base plate.

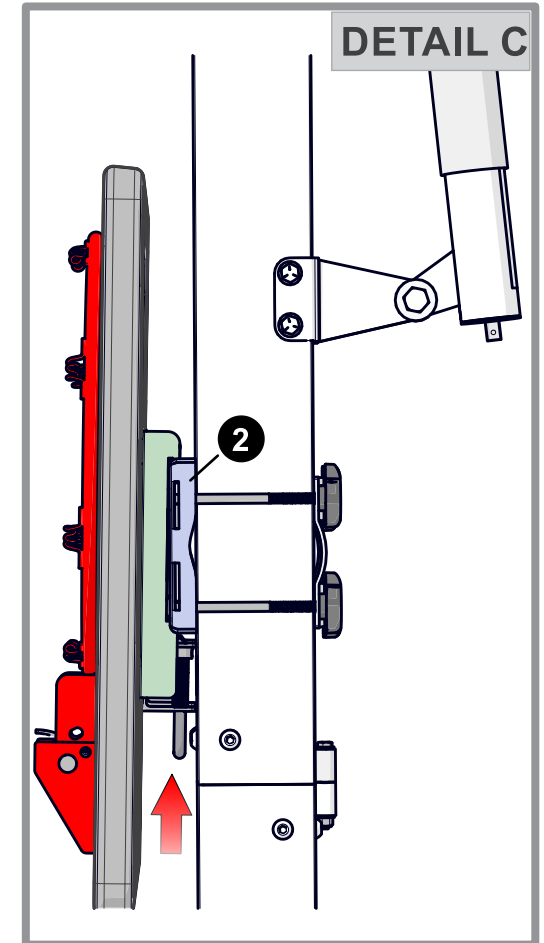
A. Mount Backboard assembly (#1) to the top slots of the the Base Plate (#2).



B. Pull down and hold the latch bar then Pivot the unit until it is flush to the Base Plate (#2).



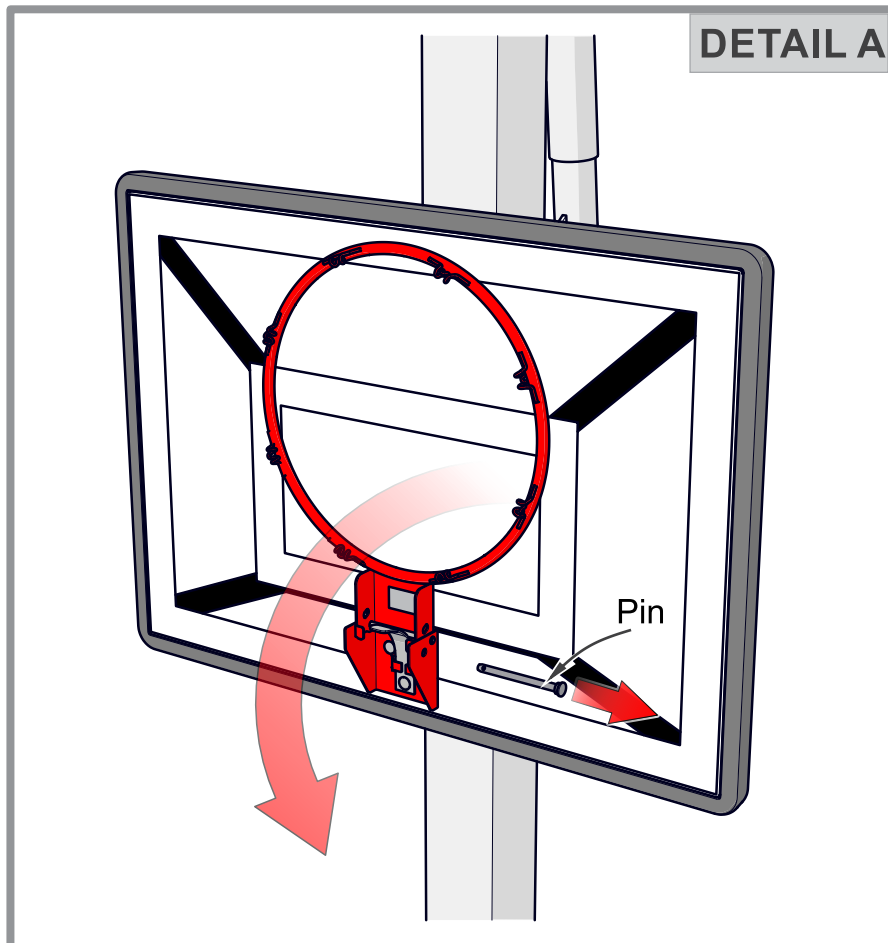
C. Release the Latch bar slowly until the latch bar ends are inserted in the Base Plate (#2).



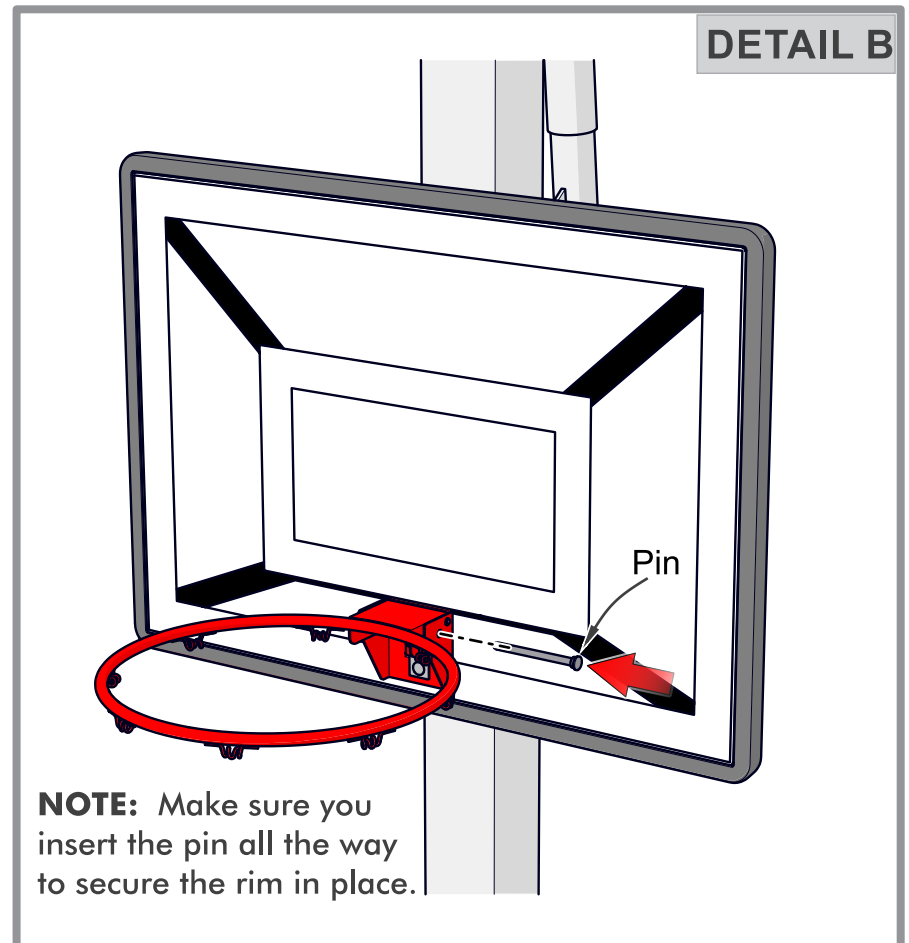
STEP 3

Pivot rim down and insert pin as shown in **Detail A** & **Detail B**.

A. If pin is inserted in the rim take it out, then pivot the rim down as shown in **Detail A**.



B. Push down on the rim until the holes are aligned and the pin can be inserted.

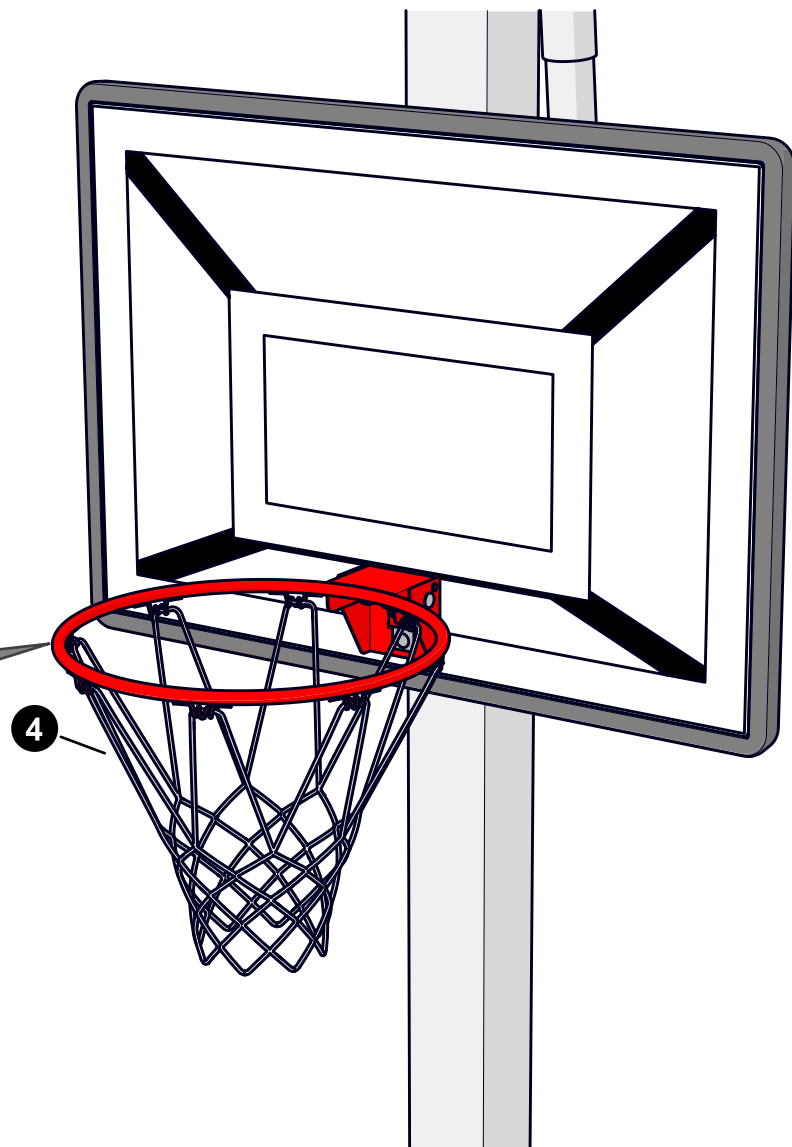
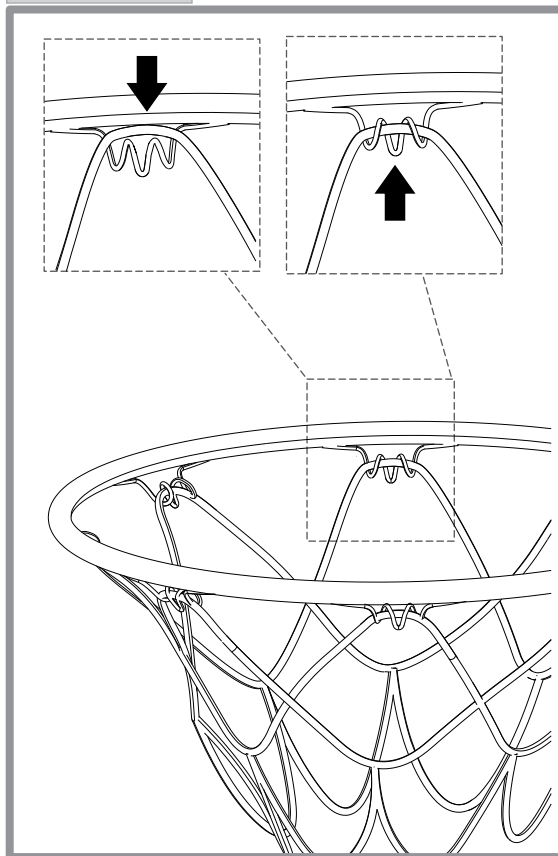


STEP 4

Attach Net #4 to Rim Assembly. Loop net over Rams Horns, and tuck under as shown. Congratulations! The assembly is complete.

NOTE: A 7 inch diameter ball (not included) is recommended for the best play experience.

DETAIL A



WHEN NOT IN USE

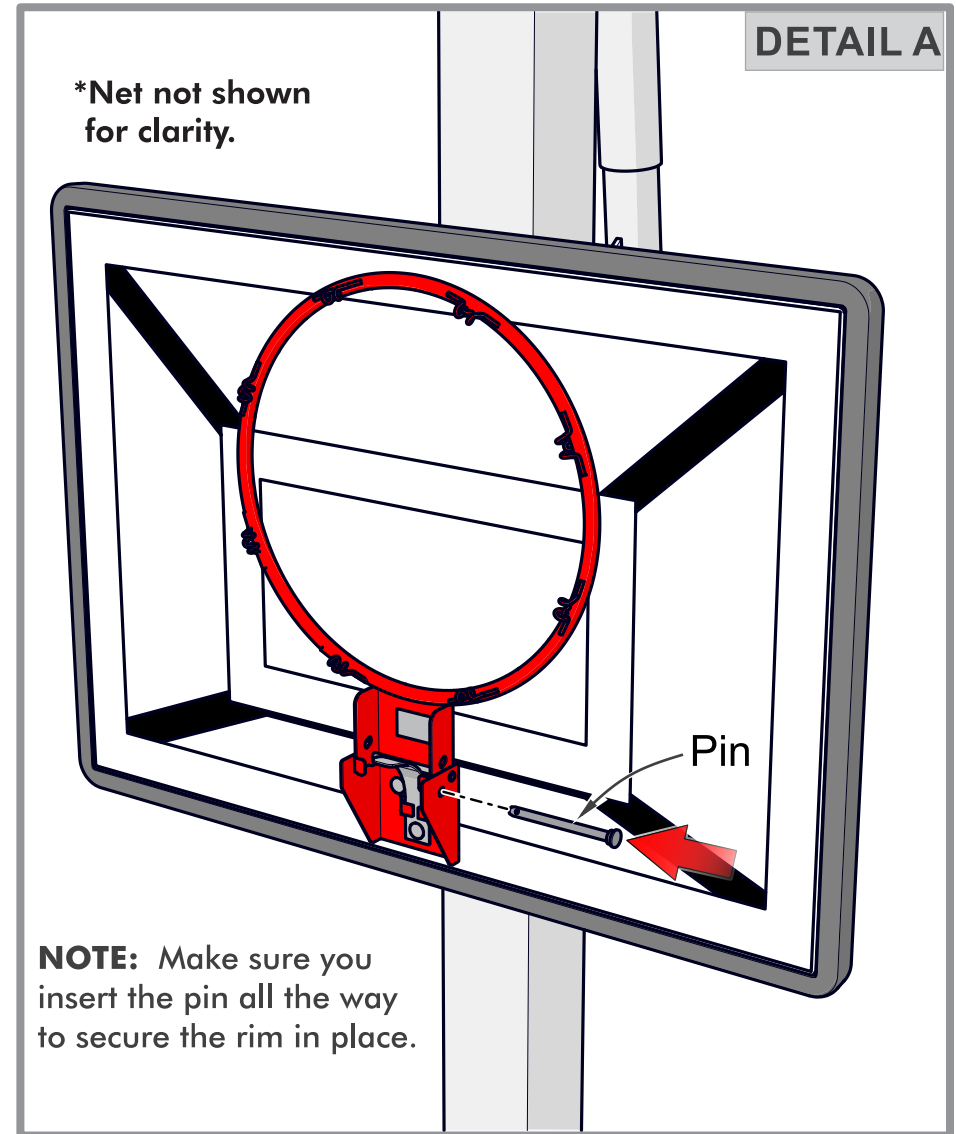
When the Jr. hoop is not in use, always return the rim to the storage position and make sure pin is inserted to secure the rim in place. See **Detail A**.

BACKBOARD CARE & MAINTANANCE

Items needed to clean backboard:

- Must use 100% cotton soft cloth.
- Mild dish washing liquid soap.
- Luke warm water.
- Mild plastic polish to minimize scratches.

Rinse backboard with lukewarm water. Wash gently with a 100% Cotton soft cloth, lukewarm water and mild soap. Do not scrub. Rinse backboard with lukewarm water again. Dry with 100% cotton soft cloth. To minimize scratches and minor abrasions to your backboard, apply a mild polish recommended for polycarbonate surfaces. Strong cleansers will damage backboard and void warranty.



LIMITED 1 YEAR WARRANTY

This consumer warranty extends to the original consumer purchase of any Escalade® Sports Product (hereinafter referred to as the "Product").

WARRANTY COVERAGE: Escalade® Sports warrants to the original Consumer Purchaser that any Product of its manufacture is free from defects in material and workmanship. THIS WARRANTY IS VOID IF THE PRODUCT HAS BEEN DAMAGED BY ACCIDENT, UNREASONABLE USE, NEGLIGENCE, IMPROPER SERVICE, FAILURE TO FOLLOW INSTRUCTIONS PROVIDED WITH THE PRODUCT OR OTHER CAUSES NOT ARISING OUT OF DEFECTS IN MATERIAL OR WORKMANSHIP.

Subject to proper installation and normal Residential use, Escalade® Sports warrants, subject to the limitations below, to the original retail purchaser all structural components of the Goliath® System to be free of defects in material and workmanship for a period of one (1) year from the original purchase.

Merchandise must be shipped prepaid with a copy of proof of purchase to Escalade® Sports factory for examination to determine if the basketball system needs to be repaired or replaced. Any labor costs, travel expenses and any other changes involved in the removal, installation or replacement of the defective/repared parts from/to your Goliath® System will be the purchaser's responsibility. Shipping charges for replaced or warranted merchandise sent back to the customer from Escalade® Sports factory must be prepaid by the customer in advance. If not, the replacement shipment will be sent out collect.

Escalade® Sports reserves the right to examine photographs or physical evidence of merchandise claimed to be defective, and to recover said merchandise, prior to authorization of warranty claims. A "Returned Goods Authorization" number may be required, please call for details prior to the return of any photographs or merchandise.

This limited 1 year warranty is expressly in lieu of all warranties, expressed or implied, including warranties of merchantability or fitness for use. Escalade® Sports does not assume or authorize any person or representative to assume for us, any other liability in connection with the sale of our products.

The remedy of repair or replacement stated above is Escalade® Sports exclusive remedy. Escalade® Sports will not be liable for any other damages or expenses which may incur, including but not limited to incidental or consequential damages. Escalade® Sports assumes no other obligations or liability on the part of the purchaser, and Escalade® Sports neither assumes nor authorizes any other person to assume for it any other liability in connection with the goods sold.

This warranty shall not apply in any manner to parts or accessories not manufactured by Escalade® Sports.

NOT COVERED BY THIS WARRANTY

- Merchandise not intended to be in places of public assembly, such as, but not limited to, schools, parks, public or private recreational facilities.
- Any merchandise subjected to Non-residential abuse, negligence, improper installation, vandalism, acts of God, alteration of product, or any other events beyond the control of Escalade® Sports.
- HANGING ON RIM WILL VOID THE WARRANTY: Rims are not warranted for any defects other than workmanship. Torn back plates, damaged springs, bent rings, damaged eyebolts, and torn or distorted rim supports result from hanging on the rim and are not warranted.
- Shipping charges both ways. Note: Any merchandise shipped to Escalade® Sports collect will be refused.
- Dealer service charges, labor charges and travel expenses associated with replacement of repair of warranty item.

WARRANTY DISCLAIMERS: ANY IMPLIED WARRANTIES ARISING OUT OF THIS SALE, INCLUDING BUT NOT LIMITED TO THE IMPLIED WARRANTIES OF MERCHANTABILITY AND FITNESS FOR A PARTICULAR PURPOSE, ARE LIMITED IN DURATION. ESCALADE® SPORTS SHALL NOT BE LIABLE FOR LOSS OF USE OF THE PRODUCT OR OTHER CONSEQUENTIAL OR INCIDENTAL COSTS. EXPENSES OR DAMAGES INCURRED BY THE CONSUMER OF ANY OTHER USE.

Some states do not allow the exclusion or limitation of implied warranties or consequential or incidental damages, so the above limitations or exclusions may not apply to you.

LEGAL REMEDIES: This warranty gives you specific legal rights, and you may also have other rights which may vary from state to state.

WARRANTY GUIDELINES IS REQUIRED FOR ALL WARRANTY CLAIMS

1. Proof of Purchase (original retail purchaser) is required for all warranty claims.
2. Call or write Escalade® Sports to receive a Return Authorization # and determine specific needs.
Phone: 1-888-USA-GOAL / Warranty Dept.
Or Write Escalade® Sports at: Escalade® Sports - P.O. Box 889, Evansville, IN 47706 - Attn: Warranty Dept.
Or E-mail us at: basketball@escaladesports.com